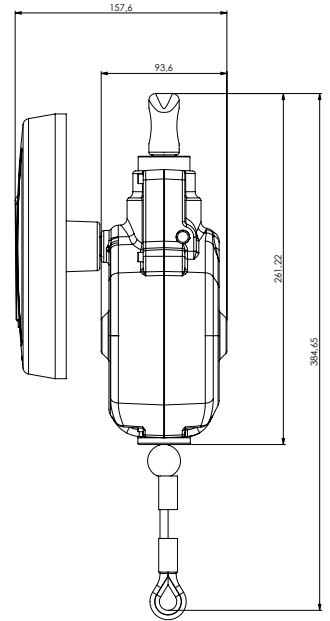
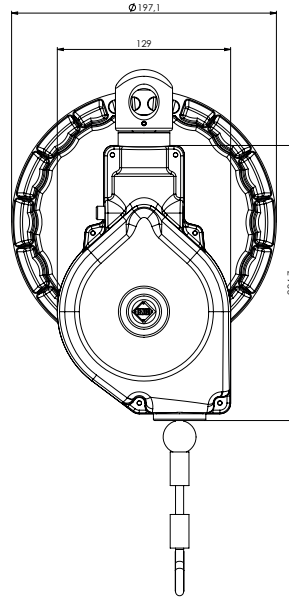


Temporary horizontal lifeline HLL

according to EN 795:2012, Typ B/C



Product information:

Order No.:	Suspension	Weight	Dimensions (LxBxT)	Function
41-HLL 12/6	Swivel	4,2 kg	385 x 197 x 158 mm	Anchorage device

Features:

Temporary horizontal lifeline HLL

- Is equipped with an integrated switchable reverse lock, which facilitates the pretension of the lifeline system
- Used in combination with connectors EN 362
- lead down function
- Maximum span 12 m⁻¹ m
- System capacity of 1 Person
- Rescue length up to 2 m
- Pretension 1 kN
- Steel cable Ø 6,0 mm
- Temperature range of application: -40°C bis +50°C
- Life service: approx 10 years

Application:

Resue, descent

Areas of use:

high level workplaces in industry, on construction site